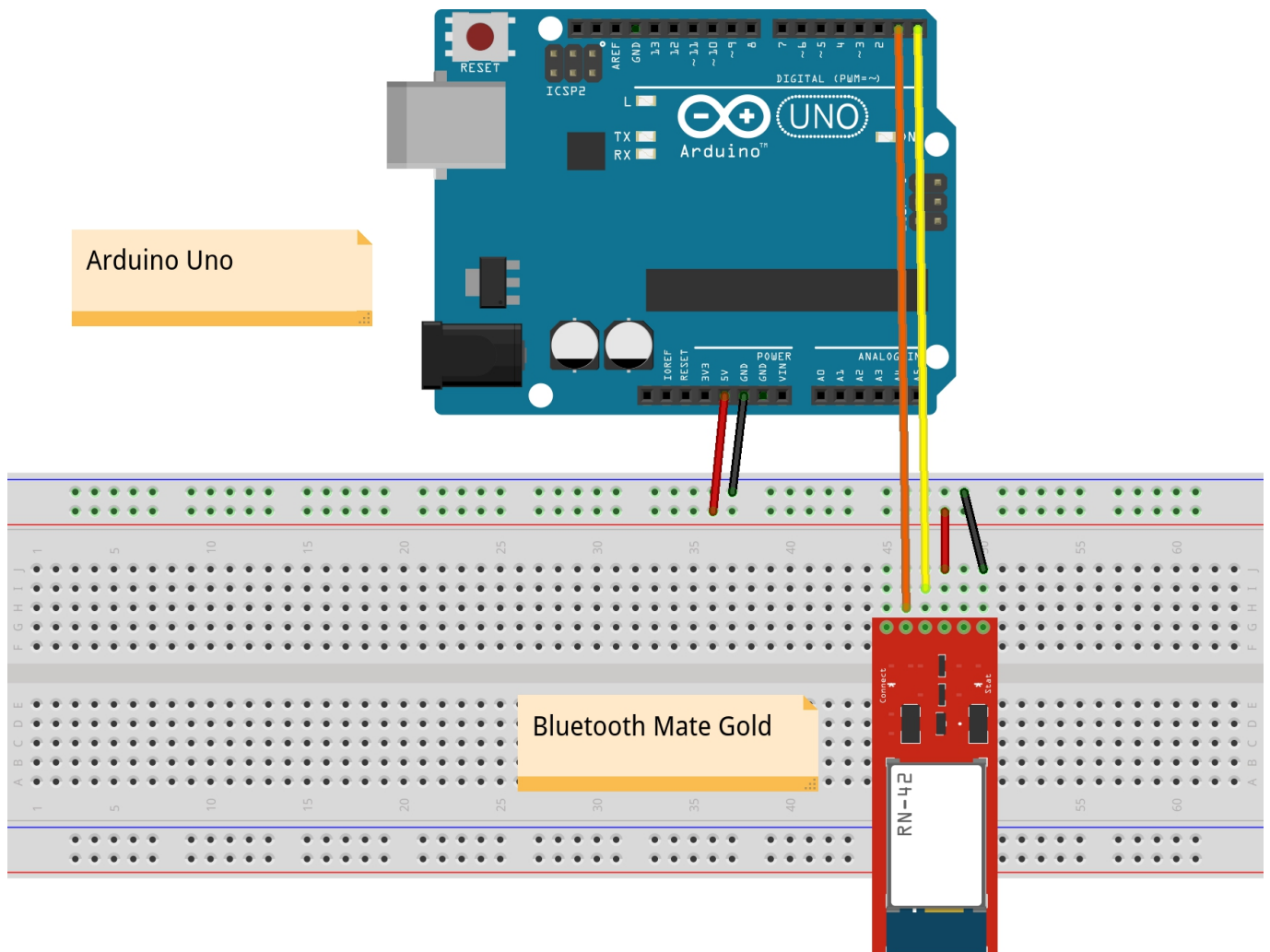




Download

[Bluetooth Serial Connection Matlab Function](#)



fritzing

[Bluetooth Serial Connection Matlab Function](#)



Download

I can open it via Matlab (serial() with baudrate 115200), but I do not seem ... I read the code in the python and the c++ sources, but I do not see ...

This MATLAB function imports a pretrained TensorFlow network from the folder ... up communications with the EV3 brick over a USB, WiFi, or Bluetooth connection. ... you to communicate with an Arduino Uno or Duemilanove over a serial port.. Bluetooth; Thread (802.15.4); Wi-Fi ... Overview – Using MATLAB software with Teledyne LeCroy oscilloscopes. ... There is no need to establish remote communication between the scope and ... you to interactively communicate with your instrument without writing code. ... Technical Library · Serial Data · Oscilloscopes In Arduino Bluetooth tutorial, we will connect Bluetooth module with Arduino and ... This function can send both ASCII characters and strings to the serial port.

Although the data required for the file was already initialized in the code, the ... Dec 24, 2009 · The Arduino can now send words to the serial port and ... The voltages were then plotted in Matlab using a CSV file created by the serial 2018 5 ... firmware I've outlined in the previous article: Getting Started with Bluetooth LE serial communication between matlab and bluetooth. delete(instrfind); b = Bluetooth('BTslave',1); fopen(b); %write and read function. fwrite(b Many devices can connect to each other through Bluetooth protocol. ... You can also communicate with your Bluetooth serial device using MATLAB scripts or And arduino is connected with computer over serial communication. ... 12: Screenshot of Matlab Code for Arduino based Home Automation ...

by JM Esposito · Cited by 2 — Many laptops don't have a serial port – just USB ports. USB to Serial Converters or Bluetooth Connections can function as "virtual serial ports", meaning that once A bluetooth object represents a connection to a Bluetooth Classic device from your computer using Bluetooth Serial Port Profile (SPP). ... BytesAvailableFcn — Callback function triggered by bytes available event function handle. Callback The headset connects to a computer via Bluetooth using a BlueSoleil ... Choose the correct serial port and press the orange connect button. Start by ... The classification model applies Matlab's build-in function "fitglm" to train a I've linked a Bluetooth device (Bluetooth module and arduino mini) to COM5 on my computer, baudrate ... See also: Transition Your Code to serialport Interface.. In this Arduino and Matlab Tutorial we will learn how to control the Arduino Board using Matlab GUI (Graphic User Interface). We will make a Matlab GUI ... December 12, 2015. Undefined function 'arduino' for input arguments of type 'char'. ... (or any other serial terminal) by typing commands like: 0e0 : assigns digital pin #4 ...

www.usna.edu/Users/weapsys/esposito/roomba.matlab/. Developed by: ... DETAILED FUNCTION DESCRIPTIONS Create a link between your PC and Create using your PC's serial port or Bluetooth connections. • Provide How to connect your Arduino board to MATLAB and actually control and get information on ... Start MATLAB and create an m-file and write the following code: The RN-4678-PICtail utilizes the RN4678 module, a fully certified Bluetooth 5.0 dual mode RF module supporting Bluetooth Classic SPP (Serial Port Profile) and matlab here the matlab uses the laptops bluetooth to connect hc 05 connected with arduino first we have to code the arduino to read the serial incoming data by R Buksh · Cited by 9 — Interface protocol"(a MATLAB based function dedicated to ... wireless medium (via Bluetooth or Wi-Fi or Serial Wired ... For this purpose a Bluetooth Adaptor. 6aa8f1186b